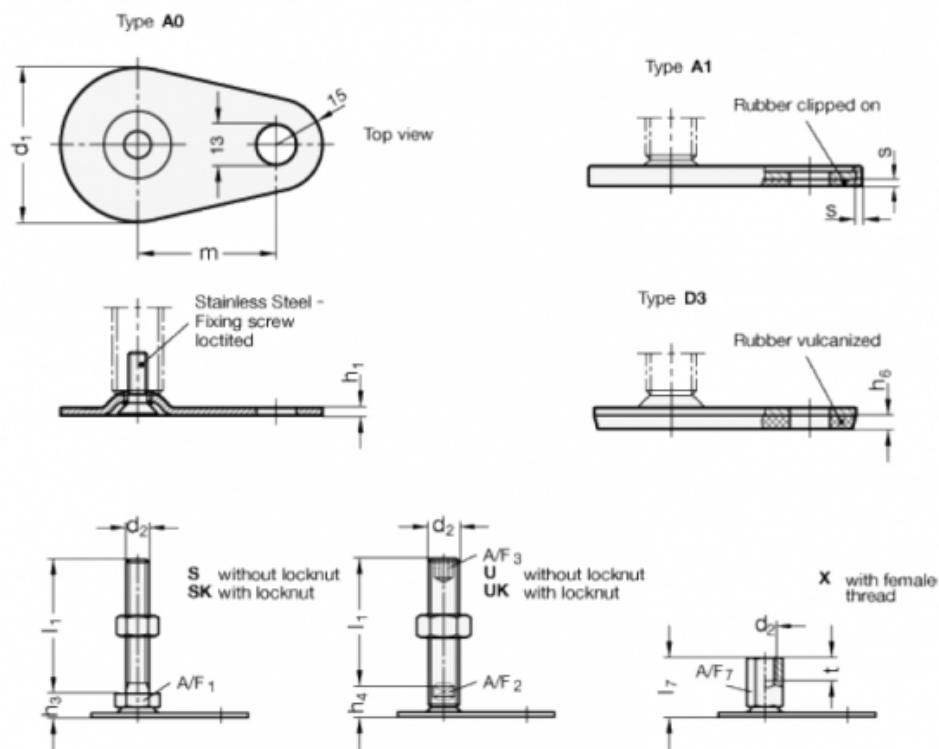


Data Sheet



Article number: 204280M12125A0SK
 Description: E+G levelling foot
 GN 42-80-M12-125-A0-SK
 Note: SK With nut, External hexagon at the bottom

Measures



A/F1 = 17
 d1 = 80
 d2 = M12
 h1 = 3
 h3 = 12
 h6 =
 l1 = 125
 m = 70

s =